



Product

The FOIL OS BLACK is composed of a PES fleece and an innovative, vapour permeable polyurethane coating that provides durable UV protection. Rain or powdery snow are retained by the film. The smooth surface of the facade membrane ensures that driving rain and moisture run off the facade safely and reliably. The FOIL OS BLACK is supplied **with or without adhesive strips.**

Application examples

Version 1 (see page 2)

- roofing film
- water barrier on facades

Versions 2, 3 and 4 (see page 2)

Air- and driving raintight finish for:

- Joinery (aluminium, wood, PU, PVC)
- Curtain walls
- Frames
- OSB
- Facade claddings
- Connections with our sealing films

Foil Colour : black

Length / Width

Standard length : 25 m

Maximum width : 1.500 mm

Other widths from 50 mm to 1.500 mm available on request

Advantages

- ✓ vapour open
- ✓ driving rain and windproof surface
- ✓ black surface
- ✓ 10 year guarantee on UV resistance for open facade membrane with max.40% joints and a max.joint width of 50mm.

For connections on the structure

352 SUPER-PRO, a mastic adhesive based on MS-Polymer® that cures under the influence of air humidity (tubes of 290 ml).



Note

Always use a hard pressure roller for optimal adhesion. Two types are available: hard silicone rubber or steel.



When applying a self-adhesive tape onto the joinery, thoroughly degrease the joinery with the universal cleaner Dowsil™ R-40 and a soft, lint-free cloth.

Technical properties of the foil

Property	Value + unit
Product	PES-fleece with polyurethane coating
Weight	220 g/m ² +/-10%
Fire class	E
Resistance to water penetration	W1
Water column testing	>400 cm WS
Water vapour permeability (µd)	0,13 m +/- 0,03
UV resistance	10 years warranty(*) test 5000 hours UV according to EN 13859-2
Airtightness (DIN EN 12114)	V50 = 0,008 m ³ /h.m. Extremely airtight (< 0,01) (Test Ghent University)
Aging test foil according to IFT guideline MO-01/1:1007 due to alternating tensile and compressive forces of ±100 kg/m ² film.	V50 = 0,009 m ³ /h.m. passed (test Ghent University)
Water tightness against driving rain (DIN EN 1027)	>1.200 Pa passed (test Ghent University)
Temperature resistance	-40°C to +80°C
Tensile strength <ul style="list-style-type: none"> • lengthwise • crosswise 	300 N/50 mm +/-30 340 N/50 mm +/-30
Elongation <ul style="list-style-type: none"> • lengthwise • crosswise 	50% +/-15 60% +/-15
Nail tear resistance <ul style="list-style-type: none"> • lengthwise • crosswise 	200 N +/-20 185 N +/-20
Storage life	Unlimited (**)

(*) Only for partially open facade membrane with max. 40% joints and a max. joint width of 50mm.

(**) store in a sealed box, at room temperature (21°C and 50% relative humidity).

When using foils with adhesive layers, the substrate and materials must be solid, grease-, oil- and dust-free. Before applying the foil, consult the instructions for use.

For your information

The length tolerances of the foils are according to DIN 7715. Width tolerances :+/- 2.50 mm.

FOIL OS BLACK VERSIONS

1) **220 FOIL OS BLACK**

The FOIL OS BLACK is provided in the standard width of 1.5 metres and a length of 25 metres, but can also be cut to the required width if necessary.



2) **FOIL OS BLACK with adhesive strips (type 240 FOIL OS BLACK and 260 FOIL OS BLACK)**

The FOIL OS BLACK can be cut to size or not and can be provided with one or more acrylic strips (*type 240 FOIL OS BLACK*) or one or more butyl adhesive strips (*type 260 FOIL OS BLACK*).

This guarantees a faster installation of the foils. Combinations of both adhesive types are also possible.



3) **FOIL OS BLACK patch**

We can provide the FOIL OS BLACK with an acrylic adhesive layer over its entire width, and thus transform it into a high-quality tape. Any width (from 50 to 1500 mm) is available.



4) **EASY FOIL OS BLACK**

In this case, the foil is transformed into a wide tape, but in order to facilitate the installation, the protective foil of the adhesive is subdivided into split paper.

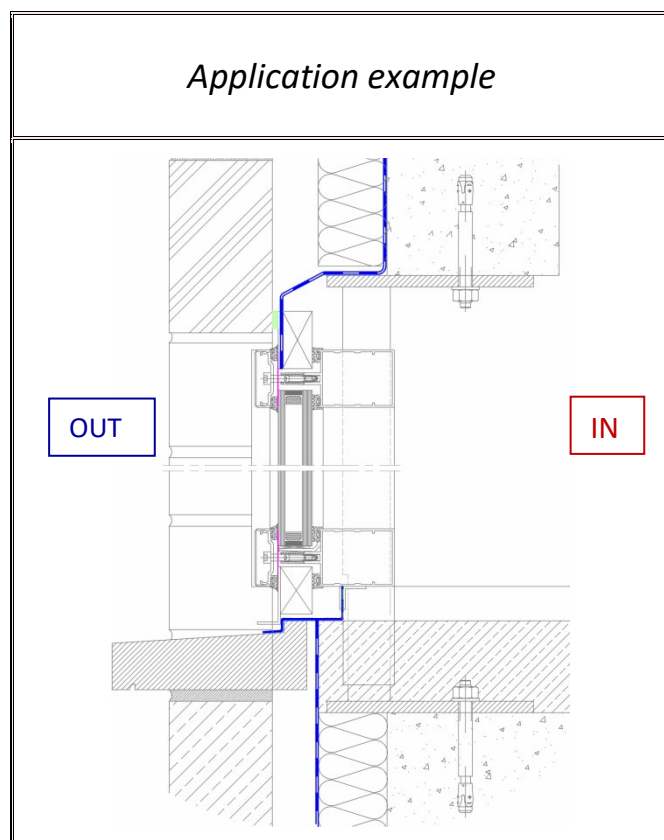
Please ask for our technical data sheet.



Technical properties adhesive (versions 2-3-4)

Property	Value + unit
Adhesive	solvent-free acrylic dispersion
Adhesive carrier	Polyester tissue
Weight	230 g/m ²
Protective layer	PP-silicone foil
Thickness	±0,23 mm
Adhesive strength [DIN EN 1939 (2003)]	≥ 35 N/25mm
Dynamic shear resistance (internal test)	≥ 15 N/cm ²
Temperature resistance	-40°C to +100°C
Aging resistance	Very good

Application example



A Processing Guide is available on request.

When using two different foils (indoor and outdoor), ensure that the outside foil is always at least 10x more vapour permeable than the inner foil.

Note

The information contained in this document is provided in good faith and is believed to be correct. However, we have no influence on the conditions in which these products are used or the methods by which they are used. Therefore, this information is not a substitute for tests which the customer must perform himself/herself in order to ensure that the products are safe, effective and achieve the intended purposes. Suggestions regarding the use of the product must not be used as grounds for infringement of any patent whatsoever. The only guarantee Castelein Sealants offers is that this product complies with the Castelein Sealants terms and conditions of sale in force at the time of shipment. Your only remedy in the event of a breach of this guarantee is the refund of the purchase price or the replacement of the product that does not comply with the guarantee.

Technical data of supplier: 03-2016

The producer reserves the right to make changes. 2020 04 01

