



Product

The FOIL N is a plasterable **vapour barrier for durable and airtight interior sealing** in both new buildings and renovations. The FOIL N is supplied **with or without adhesive strips**.

Application examples

Version 1 (see page 2):

Airtight vapour barrier for

- Interior walls
- ceilings

Versions 2, 3 and 4 (see page 2):

Airtight interior finish:

- Joinery (aluminium, wood, PU, PVC)
- Curtain walls
- Frames
- OSB and multiplex panels
- Connections with our sealing foils

Colour foil : white

Length / Width

Standard length : 25 m

Maximum width : 1.500 mm

Other widths from 50 mm to 1.500 mm available on request

Advantages

- ✓ Airtight and vapourtight
- ✓ Can be bonded to most common substrates with the appropriate sealant (consult us)
- ✓ Very flexible: easy to apply
- ✓ Light weight and putrefaction resistant
- ✓ Very good aging resistance
- ✓ Excellent adhesion possible on the product, even with seam joints

For connections on the structure or for interconnections

352 SUPER-PRO, a mastic adhesive based on MS-Polymer® or CS-PU Foil Bond, based on polyurethane. Both adhesives cure under the influence of air humidity.



Note

Always use a hard pressure roller for optimal adhesion. Two types are available: hard silicone rubber or steel.



When applying a self-adhesive tape onto the joinery, thoroughly degrease the joinery with the universal cleaner Dowsil™ R-40 and a soft, lint-free cloth

Technical properties

Property	Value + unit
Product	Synthetic fleece foil
Fire class (DIN EN 13501)	E
Air permeability (DIN EN 12114)	$a \approx 0 \text{ m}^3/[\text{h} \cdot \text{m} \cdot (\text{daPa})\text{n}]$
Temperature resistance	-40°C to +100°C
Application temperature	+5°C to +45°C
μd value (DIN EN 1931)	35 m +/- 5
Weight (DIN EN 1849-2)	115 g/m ² (+/- 10)
Tensile strength (DIN EN 12311-2A)	<ul style="list-style-type: none"> • lengthwise 170 N/50 mm • crosswise 120 N/50 mm
Nail tear resistance (DIN EN 12310-1)	<ul style="list-style-type: none"> • lengthwise 50 N • crosswise 70 N
Elongation (DIN 12311-2A)	<ul style="list-style-type: none"> • lengthwise 70% • crosswise 100%
Airtightness (NBN EN 12114)	Very airtight (<0,1) V50 = 0,027 m ³ /h.m. (Test Ghent University)
Tolerance with other building materials	tolerant
UV resistance	3 months
Dimensional tolerance (DIN 7715 T5 P3)	meets the requirements
Watertightness (EN 1928)	Passed at 2 kPa
Storage life	2 years (*)

(*) Store in a closed box, at room temperature (21°C and 50% relative humidity).

When using foils with adhesive layers, the substrate and materials must be solid, grease-, oil- and dust-free. Before applying the foil, consult the instructions for use.

For your information

The length tolerances of the foils are according to DIN 7715. Width tolerances : +/- 2.50 mm.

FOIL N VERSIONS

1) **230 FOIL N**

The FOIL N is provided in the standard width of 1.5 metres and a length of 25 metres, but can also be cut to the required width if necessary.



2) **FOIL N with adhesive strips** **(type 250 FOIL N and 270 FOIL N)**

The FOIL N can be cut to size or not and can be provided with one or more acrylic strips (*type 250 FOIL N*) or one or more butyl adhesive strips (*type 270 FOIL N*).

This guarantees a faster installation of the foils. Combinations of both adhesive types are also possible.



3) **FOIL N PATCH**

We can provide the FOIL N with an acrylic adhesive layer over its entire width, and thus transform it into a high-quality tape. Any width (from 50 to 1500 mm) is available.



4) **EASY FOIL N**

In this case, the foil is transformed into a wide tape, but in order to facilitate the installation, the protective foil of the adhesive is subdivided into split paper.

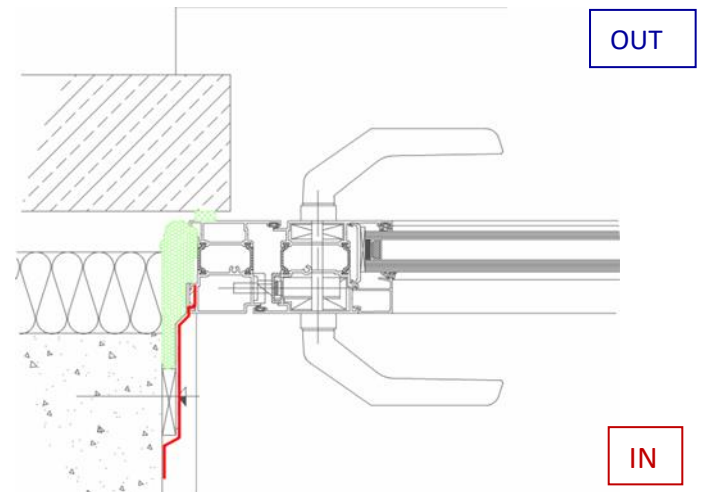
Please ask for our technical data sheet.



Technical properties adhesive (versions 2-3-4)

Property	Value + unit
Adhesive	Solvent-free acrylic dispersion
Adhesive carrier	Polyester tissue
Weight	230 g/m ²
Protective layer	PP-silicone foil
Thickness	±0,23mm
Adhesive strength [DIN EN 1939 (2003)]	≥ 35N/25mm
Dynamic shear resistance (internal test)	≥ 15N/cm ²
Temperature resistance	-40°C to +100°C
Aging resistance	Very good

Application example



A Processing Guide is available on request.

When using two different foils (indoor and outdoor), ensure that the outside foil is always at least 10x more vapour permeable than the inner foil.

Note

The information contained in this document is provided in good faith and is believed to be correct. However, we have no influence on the conditions in which these products are used or the methods by which they are used. Therefore, this information is not a substitute for tests which the customer must perform himself/herself in order to ensure that the products are safe, effective and achieve the intended purposes. Suggestions regarding the use of the product must not be used as grounds for infringement of any patent whatsoever. The only guarantee Castelein Sealants offers is that this product complies with the Castelein Sealants terms and conditions of sale in force at the time of shipment. Your only remedy in the event of a breach of this guarantee is the refund of the purchase price or the replacement of the product that does not comply with the guarantee.

Technical data of supplier: 03-2016

The producer reserves the right to make changes. 2023 01 09