



Technical Data Sheet

DOWSIL™ 3362 Insulating Glass Sealant

FEATURES & BENEFITS

- When used correctly, manufactured dual sealed insulating glass units meet EN1279 and CEKAL requirements
- Outstanding adhesion to a wide range of substrates including coated and reflective glasses, aluminum and steel spacers, and a variety of plastics
- Structural capability as secondary sealant for insulating glass units used in structural glazing
- CE Marked according to ETAG 002 meets sealant requirements according to EN1279 parts 4 and 6 and EN13022
- Low water absorption
- Excellent temperature stability: -50°C to 150°C
- High level of mechanical properties- high modulus
- Non-corrosive cure
- Fast curing time
- Outstanding resistant to ozone and ultraviolet (UV) radiation
- Stable viscosity for A and B components, no heating required
- Different grey shades available (please refer to our color card)

Two-part silicone sealant for use as secondary sealant in insulating glass units

APPLICATIONS

- DOWSIL™ 3362 Insulating Glass Sealant is intended for use as a secondary sealant in a dual sealed insulating glass unit.
- The high performance features incorporated into this product make it specially suitable for the following applications:
 - Insulating glass units for residential and commercial use.
 - Insulating glass units with high levels of UV exposure (free edge, greenhouse, etc.).
 - Insulating glass units incorporating specialty glass types.
 - Insulating glass units where high heat or humidity may be encountered.
 - Insulating glass in cold climates.
 - Insulating glass units used in structural glazing.

TYPICAL PROPERTIES

Specification Writers: These values are not intended for use in preparing specifications.

Test method ¹	Property	Unit	Result
	DOWSIL™ 3362 Base: as supplied		
	Color and consistency		Viscous white paste
	Specific gravity		1.32
	Viscosity (60s ⁻¹)	Pa.s	52.5
	Curing agent: as supplied		
	Color and consistency		Clear / black / grey ² paste
	Specific gravity		
	- HV		1.05
	- HV/GER		1.05
	Viscosity (60s ⁻¹)	Pa.s	
	- HV		3.5
	- HV/GER		7.5
	As mixed		
	Color and consistency		White / black / grey ² non-slump paste
	Working time (25°C, 50% R.H.)	minutes	5 to 10
	Snap time (25°C, 50% R.H.)	minutes	35 to 45
	Specific gravity		1.30
	Corrosiveness		Non-corrosive
ISO 8339	Tensile strength	MPa	0.89
ASTM D0412	Tear strength	kN/m	6.0
ISO 8339	Elongation at break	%	90
EN 1279-6	Durometer hardness, Shore A		41
ETAG 002	Design stress in tension	MPa	0.14
	Design stress in dynamic shear	MPa	0.11

TYPICAL PROPERTIES (continued)

Test method ¹	Property	Unit	Result
	Elastic modulus in tension or compression	MPa	2.4
EN 1279-4 annex C	Water vapor permeability (2.0 mm film)	g/m ² /24h	15.4
DIN 52612	Thermal conductivity	W/(m.K)	0.27

¹ISO: International Standardization Organization.

ASTM: American Society for Testing and Materials.

EN: European Norm.

ETAG: European Technical Agreement Guidelines.

DIN: Deutsche Industrie Norm.

²Please refer to our color card (Form. No. 62-1633).

DESCRIPTION

DOWSIL 3362 Insulating Glass Sealant has been extensively tested under different type of glass and conditions (air permeability, gas, etc.).

TECHNICAL SPECIFICATIONS AND STANDARDS

CE Marked according to ETAG 002 meets sealant requirements according to EN1279 parts 4 and 6 and EN13022.

SNJF Vi-VEC



With a correctly manufactured dual sealed gas filled insulating glass unit, it is possible to pass the requirements of EN1279 part 3, but generally DOWSIL™ 3362 HD Insulating Glass Sealant is recommended for this application.

HOW TO USE

Mixing and dispensing instructions

DOWSIL 3362 Insulating Glass Sealant should be mixed in a ratio of 10:1 base to curing agent by weight, or equivalent 8:1 by volume for optimal properties. At this mix ratio, the sealant typically exhibits a working time of 5–10 minutes and allows units to be handled within two hours. Slight variations in mixing ratio can be tolerated, but these

should not exceed 11:1 to 9:1 by weight or 8.8:1 to 7.2:1 by volume to ensure minimum properties are obtained.

The sealant is compatible with most DOWSIL™ neutral curing construction sealants. Please contact our technical services department for more information.

To obtain the ultimate physical properties from DOWSIL 3362 Insulating Glass Sealant, it is recommended that the base and curing agent are thoroughly mixed using an airless mixing system found on most existing commercially available two-part silicone dispensing machines.

Catalyst selection

Different catalysts are available for DOWSIL 3362 Insulating Glass Sealant:

- DOWSIL™ 3362 HV Catalyst is a medium viscosity paste, fast cure, which is suitable for meter mix equipment using a pressure pot or follower plate system for the catalyst.
- DOWSIL™ 3362 HV/GER Insulating Glass Catalyst is a viscous paste fast cure and is suitable for meter mix equipment that uses a follower plate system for the catalyst.

Equipment cleaning

When not being used it is recommended that the dispensing equipment be purged either with the uncatalyzed base, or flushed with a

suitable solvent such as DOWSIL™ 3522 Concentrated Cleaning Solvent. If cured sealant has built up inside the equipment, it is recommended to flush the equipment for the appropriate time with DOWSIL 3522 Concentrated Cleaning Solvent. This solvent dissolves cured silicone sealant and provides optimum cleaning performance.

TECHNICAL SERVICES

Dow provides comprehensive technical service as part of customer support to ensure the optimal performance of your insulated glass design. This includes dispensing equipment recommendations, as well as sealant compatibility testing with all your chosen insulated glass unit components. For structural glazing applications, special unit design should be reviewed on a project base by technical service staff.

HANDLING

PRECAUTIONS

PRODUCT SAFETY INFORMATION REQUIRED FOR SAFE USE IS NOT INCLUDED IN THIS DOCUMENT. BEFORE HANDLING, READ PRODUCT AND SAFETY DATA SHEETS AND CONTAINER LABELS FOR SAFE USE, PHYSICAL AND HEALTH HAZARD INFORMATION. THE SAFETY DATA SHEET IS AVAILABLE ON THE DOW WEBSITE AT WWW.CONSUMER.DOW.COM, OR FROM YOUR DOW SALES

UNRESTRICTED – May be shared with anyone

®™Trademark of The Dow Chemical Company (“Dow”) or an affiliated company of Dow

DOWSIL™ 3362 Insulating Glass Sealant

© 2017 The Dow Chemical Company. All rights reserved.

APPLICATION ENGINEER, OR DISTRIBUTOR, OR BY CALLING DOW CUSTOMER SERVICE.

USABLE LIFE AND STORAGE

When stored at or below 30°C, DOWSIL 3362 Curing Agent has a usable life of 14 months from the date of production.

When stored at or below 30°C, DOWSIL 3362 Base has a usable life of 14 months from the date of production.

PACKAGING INFORMATION

Lot matching of Base and Curing Agent is not required.

DOWSIL 3362 Base is available in 250 kg drums and 20 liter pails. DOWSIL 3362 Catalyst is available in 25 kg pails. Beside black and clear, the curing agent is offered in a variety of grey shades. Custom colors may be available on request.

LIMITATIONS

This product is neither tested nor represented as suitable for medical or pharmaceutical uses.

The sealant cannot be used for structural glazing of glass units onto a metal frame. DOWSIL™ 993 Structural Glazing Catalyst is the recommended product for that application.

Please contact Dow to get the proper glazing recommendations.

HEALTH AND ENVIRONMENTAL INFORMATION

To support customers in their product safety needs, Dow has an extensive Product Stewardship organization and a team of product safety and regulatory compliance specialists available in each area.

For further information, please see our website, www.consumer.dow.com or consult your local Dow representative.

LIMITED WARRANTY INFORMATION – PLEASE READ CAREFULLY

The information contained herein is offered in good faith and is believed to be accurate. However, because conditions and methods of use of our products are beyond our control, this information should not be used in substitution for customer's tests to ensure that our products are safe, effective, and fully satisfactory for the intended end use. Suggestions of use shall not be taken as inducements to infringe any patent.

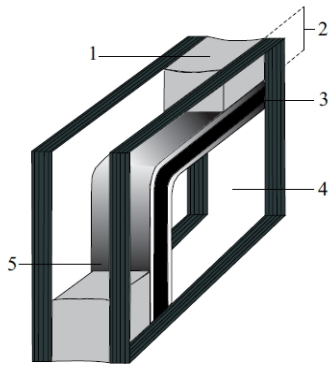
Dow's sole warranty is that our products will meet the sales specifications in effect at the time of shipment.

Your exclusive remedy for breach of such warranty is limited to refund of purchase price or replacement of any product shown to be other than as warranted.

TO THE FULLEST EXTENT PERMITTED BY APPLICABLE LAW, DOW SPECIFICALLY DISCLAIMS ANY OTHER EXPRESS OR IMPLIED WARRANTY OF FITNESS FOR A PARTICULAR PURPOSE OR MERCHANTABILITY. DOW DISCLAIMS LIABILITY FOR ANY INCIDENTAL OR CONSEQUENTIAL DAMAGES.

www.consumer.dow.com

Figure 1: Typical section of a dual sealed insulating glass unit.



Legend

- 1. Secondary seal (DOWSIL™ 3362 Insulating Glass Sealant)
- 2. Secondary seal - sealant depth
- 3. Primary seal - Poly Iso Butylene
- 4. Glass
- 5. Spacer bar

Figure 2: DOWSIL™ 3362 Insulating Glass Sealant - Snaptime evolution with temperature.

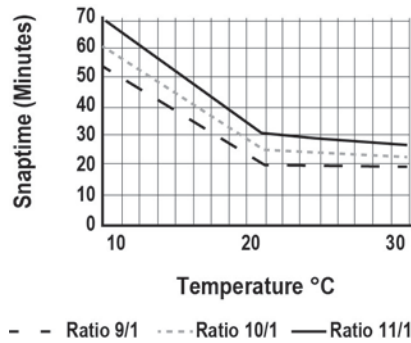


Figure 3: DOWSIL™ 3362 Insulating Glass Sealant - Tack-free time evolution with temperature.

